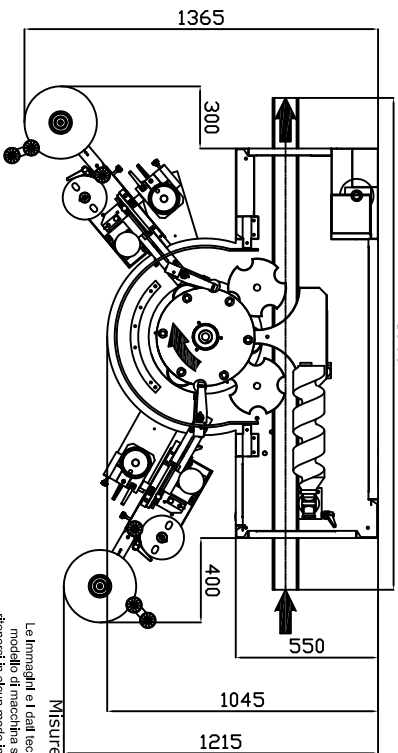
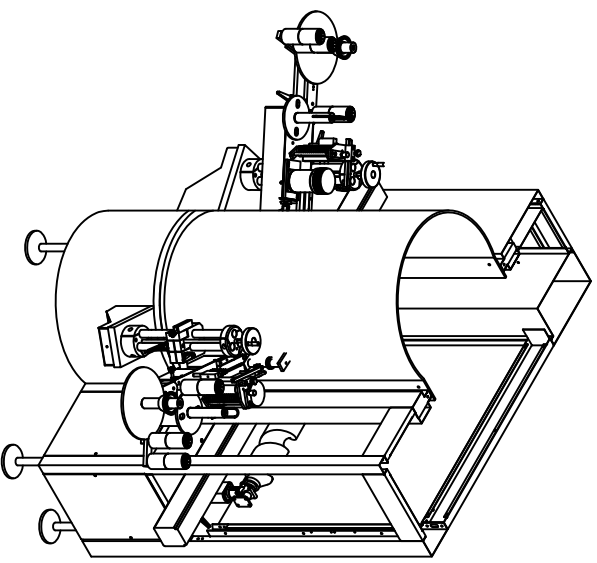


1505

1020

1800

1505



MISURE INDICATIVE

Les images et les données techniques font référence à un modèle de machine et ne doivent pas être considérés engageants. La Société S.T.S. se réserve le droit de modifier les images et les données techniques au moment de la confirmation de la commande.

The images and the technical data refer to a model of standard machine and they are not to consider in some way binding. The S.T.S. reserves the right to vary the images and the data during the confirmation of order.

Dedominazione: Complessivo Imisure indicativi		Macchina																					
Trattamento superficiale		Trattamento termico																					
Materiale		Smussi non quotati																					
Descrizione materiale		Raggi non quotati																					
Note		Massa																					
S2T6-RI-COMPACT		Formato																					
Sca: I		Sist. dati																					
Dis.		Sist. II																					
Revisione		Disegno n./codice																					
S.T.S. di S.M.A. S.p.A. MACCHINE ENOICOICHE S. Martino D'Ovaro (TV) ITALIA		TOLLERANZE DIMENSIONALI (mm)																					
Data: 18/06/2008		<table border="1"> <tr> <td>±0.05</td> <td>±0.1</td> <td>±0.2</td> <td>±0.3</td> <td>±0.4</td> <td>±0.5</td> <td>±0.6</td> <td>±0.7</td> <td>±0.8</td> <td>±0.9</td> <td>±1.0</td> <td>±1.2</td> <td>±1.5</td> <td>±2.0</td> <td>±3.0</td> <td>±4.0</td> <td>±5.0</td> <td>±6.0</td> <td>±8.0</td> <td>±10.0</td> </tr> </table>		±0.05	±0.1	±0.2	±0.3	±0.4	±0.5	±0.6	±0.7	±0.8	±0.9	±1.0	±1.2	±1.5	±2.0	±3.0	±4.0	±5.0	±6.0	±8.0	±10.0
±0.05	±0.1	±0.2	±0.3	±0.4	±0.5	±0.6	±0.7	±0.8	±0.9	±1.0	±1.2	±1.5	±2.0	±3.0	±4.0	±5.0	±6.0	±8.0	±10.0				
A meno di segni o osservazioni in proprietà di questo disegno con livello di produzione senza la nostra autorizzazione		SISTEMI DI QUOTAZIONE																					
		<table border="1"> <tr> <td>1</td> <td>2</td> <td>3</td> <td>4</td> <td>5</td> <td>6</td> <td>7</td> <td>8</td> <td>9</td> <td>10</td> <td>11</td> <td>12</td> <td>13</td> <td>14</td> <td>15</td> <td>16</td> <td>17</td> <td>18</td> <td>19</td> <td>20</td> </tr> </table>		1	2	3	4	5	6	7	8	9	10	11	12	13	14	15	16	17	18	19	20
1	2	3	4	5	6	7	8	9	10	11	12	13	14	15	16	17	18	19	20				